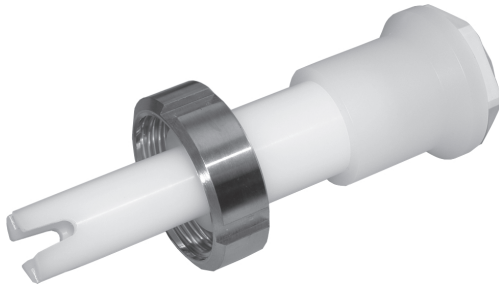
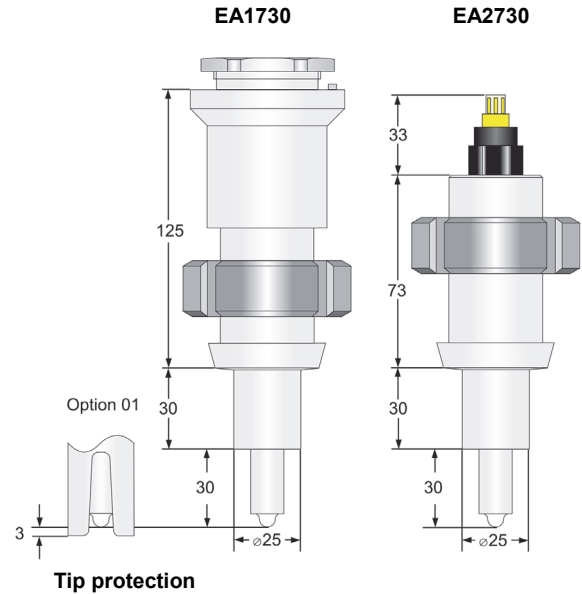


**Product Information**

**In-line Fitting  
 EA1730 / EA2730**



**Dimensions**



**Characteristics**

Hygienic fitting; material PVDF for milk-pipe connection acc. to DIN 11887.  
 This In-line fitting has been designed for electrochemical cells like pH/ORP-, conductivity-cells with PG13.5 process connection. It protects the sensor and ensures a proper measurement.  
 The application field includes food and chemical technology.

**Technical data**

Process connection: milk pipe acc. to DIN 11887  
 Process material : PVDF  
                           FDA compliant  
 Cap nut : stainless steel 1.4301  
 Operating temperature : -10..+120 °C  
                                   steam sterilization 140 °C < 1 h  
 Process pressure : max. 16 bar

**Ordering code**

EA  1. -  2. -  3. -  4.

<b>1. Model</b>	
1730	head mounting at UNICON-pH, incl. Cap nut
2730	field mounting, incl. cap nut
<b>2. Process connection</b>	
DN25	
DN40	
DN50	
DN65	
<b>3. Sensor type</b>	
0	standard pH / ORP combined-electrodes
<b>4. Options</b>	
00	without option
01	with integrated tip protection (only for pH and ORP combined-electrodes)